

VITROCELL® 6/48: Changeover set for 24-well sized inserts

Tobias Krebs, VITROCELL Systems GmbH, 79183 Waldkirch, Germany

Background

The VITROCELL® 48 is a versatile exposure system for high throughput: 7 dilutions @ 6 replicates plus 1 clean air control @ 6 replicates can be realised.

When the system was firstly introduced, it was available in versions for 6-well sized inserts or 35 mm Petri dishes (AMES test).

Now the system can be used also for exposure in 24-well sized inserts.



Fig. 1: VITROCELL 48 System

Setup

- A. Version for 24-well sized inserts with trumpet height tool
- B. Version for 6-well sized inserts with trumpet height tool
- C. Version for 35 mm Petri dishes with trumpet height tool
- D. Version for 24-well sized inserts
- E. Version for 6-well sized inserts
- F. Version for 35 mm Petri dishes

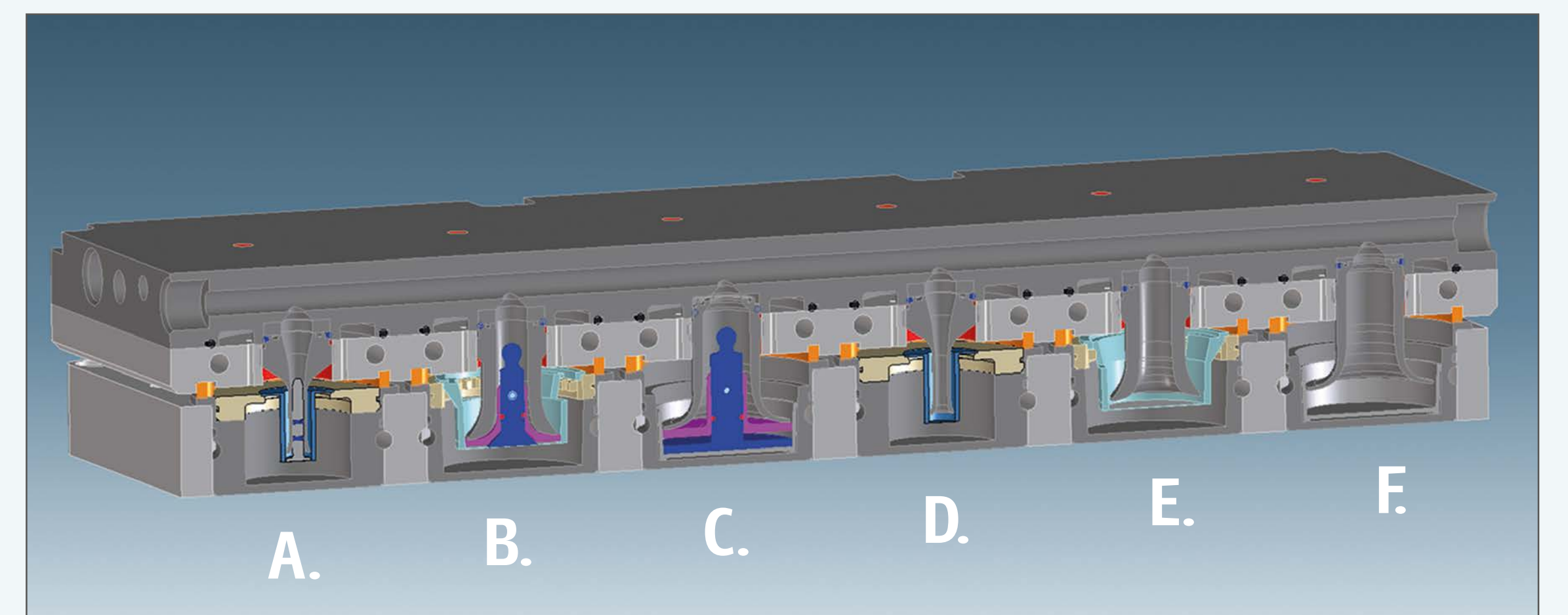


Fig. 2: Different configurations of VITROCELL 48 System

Details of the solution

For exchange to the relevant insert sizes the exposure top and the base module need to be exchanged. In the version for 24-well sized inserts the media volume is 3 mL.

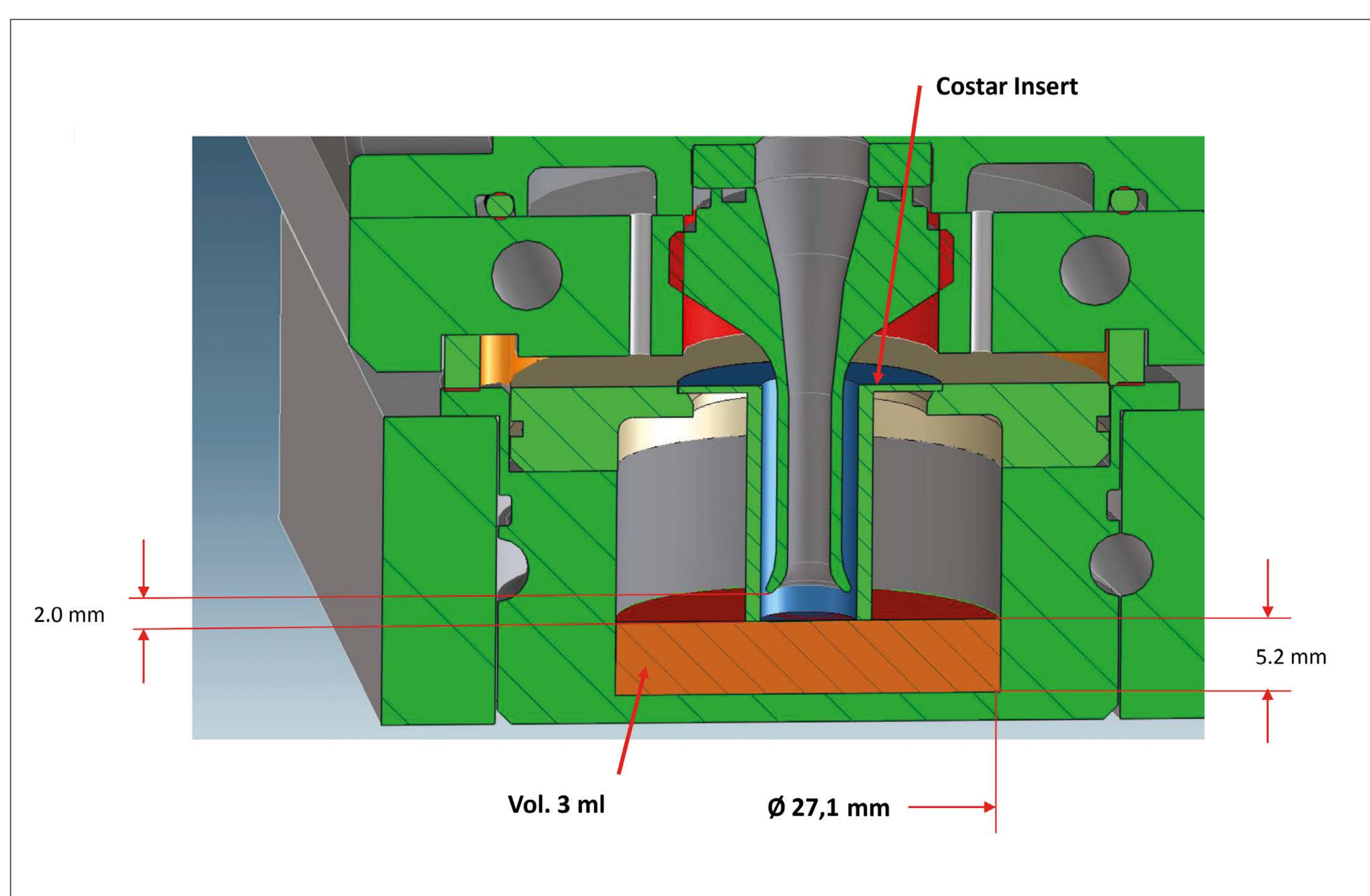


Fig. 3: Cross section of exposure compartment

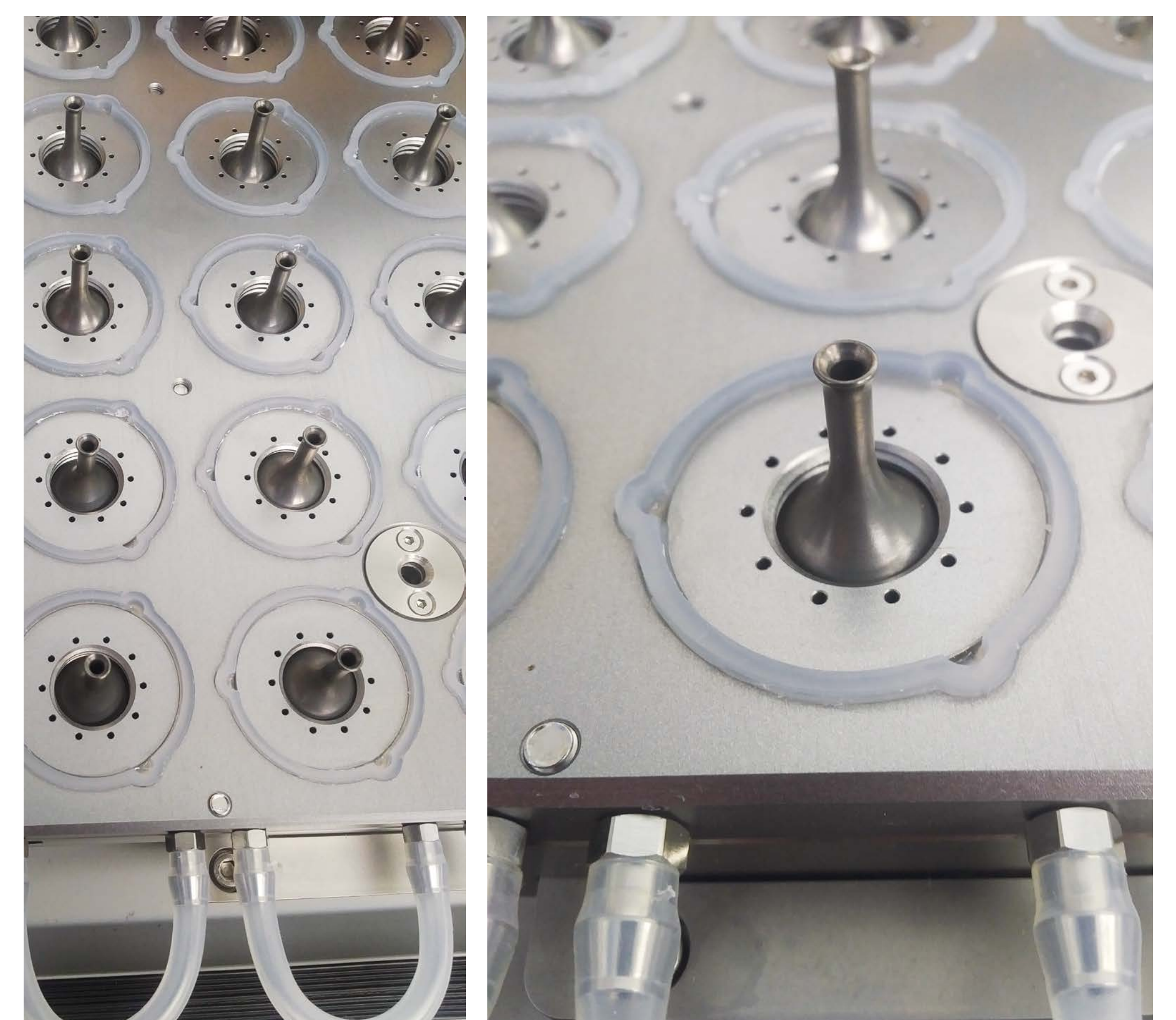


Fig. 4: Inlets of the exposure top for 24-well sized inserts