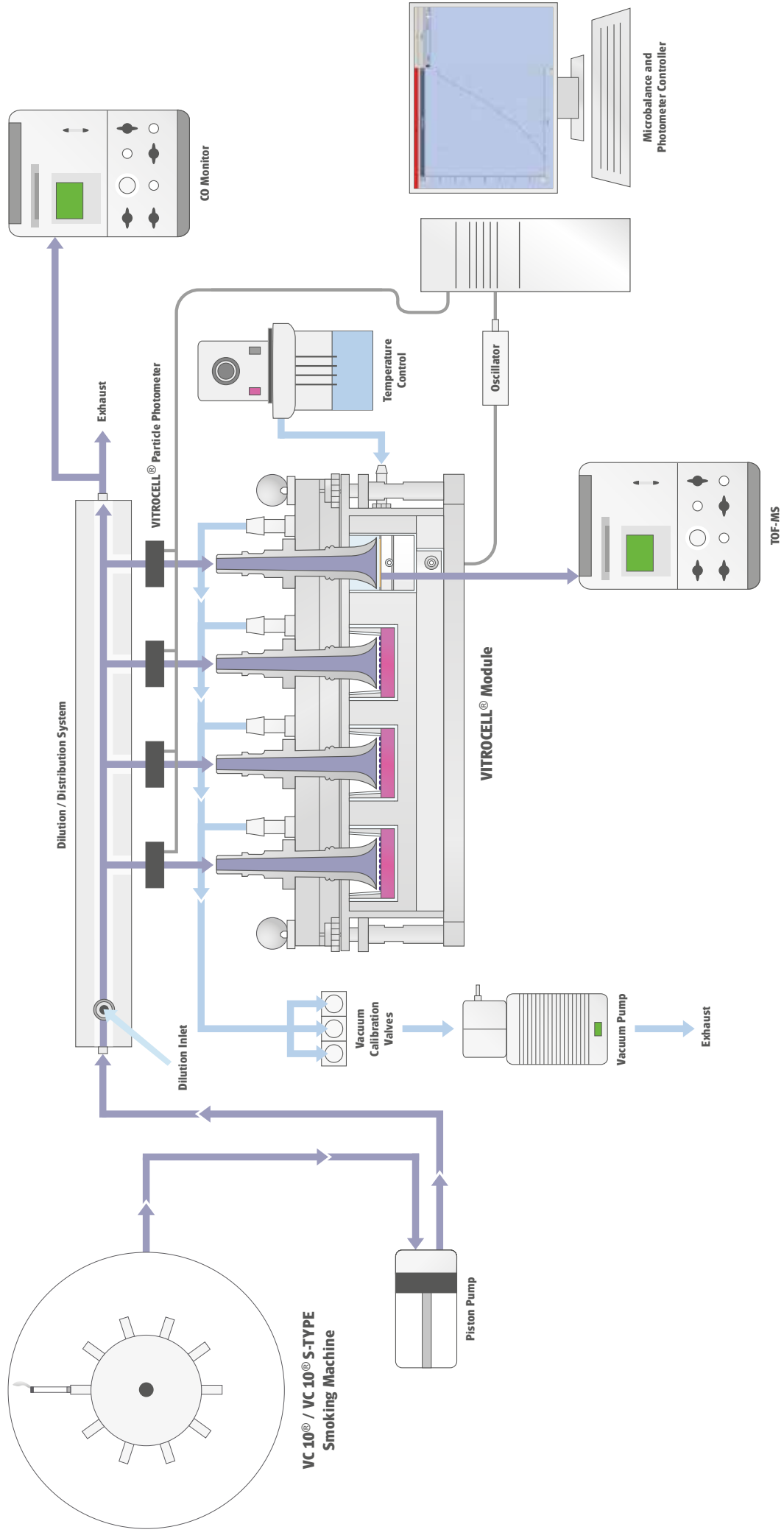


# Advanced in vitro exposure systems

VITROCELL® Dose Monitoring / Filter Housings



# Overview VITROCELL® Dose Monitoring





# VITROCELL® Dose Monitoring

For dose-response measurement

## Introduction to Dose Monitoring

The amount of substances delivered to cells or bacteria can be defined in various ways. In general, particle-free gases or

mixtures can be measured using online gas-analyzing equipment. When dose determination for particles is essential,

VITROCELL® offers unique solutions: the particulate matter is collected on special filters, monitored inline by photometers or

measured online by means of a microbalance sensor in the module.

## VITROCELL® Filter Housings for 25 mm filter pads

The filter housings are made for 25 mm diameter filter pads and have stainless steel fittings so that they can be connected to the distribution/dilution systems and the vacuum system. The particles are collected on the filter for further analysis by gravimetric or chemical methods.



### Features

- Suitable for 25 mm diameter filter pads
- Stainless steel nozzles

## VITROCELL® mm Filter Housings for 92 mm cambridge filter pads

The filter housings are made for 92 mm diameter filter pads and have stainless steel fittings so that they can be connected to the smoke path of the Smoking Machine. The total particulate matter is collected on the filter for further analysis by gravimetric or chemical methods. A user-friendly closing and opening mechanism allows for a safe and airtight operation.



### Features

- Suitable for 92 mm diameter filter pads
- Stainless steel nozzles
- User-friendly closing and opening mechanism

## About VITROCELL®

**VITROCELL® exclusively concentrates on the developing, producing, installing, training and servicing of advanced *in vitro* exposure systems.**

The VITROCELL® Systems' team is driven by their vision for new in-vitro standards through state-of-the-art technology, highly qualified workmanship and absolute client dedication. VITROCELL® has successfully collaborated with clients from leading research institutes, contract research organizations, regulatory authorities or industrial laboratories across the world. Working with our team experts, all modules have been tailored to create durable and complete turnkey-systems for *in vitro* inhalation toxicology. Gases, environmental atmospheres, nano particles and complex mixtures are analyzed on lung cells at the air/liquid interface using these systems. VITROCELL® technologies are also applicable to solutions for skin research.

Over a decade of devotion to research in this specific field has given our team of design & precision manufacturing specialists the opportunity to mentor highly diversified and complex projects **from conception to completion**. We strive to become a constructive member of each research team, providing support when it is needed, advice when it is required and modules of the highest quality, which are even polished by hand before leaving here to be integrated into your workspace. Every piece of our German engineered equipment is manufactured to the highest of standards – yours.

VITROCELL® Systems GmbH  
Fabrik Sonntag 3  
79183 Waldkirch  
Germany

Tel. +49 7681 497 79-50  
Fax +49 7681 497 79-79  
Email: [info@vitrocell.com](mailto:info@vitrocell.com)  
[www.vitrocell.com](http://www.vitrocell.com)

